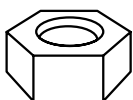
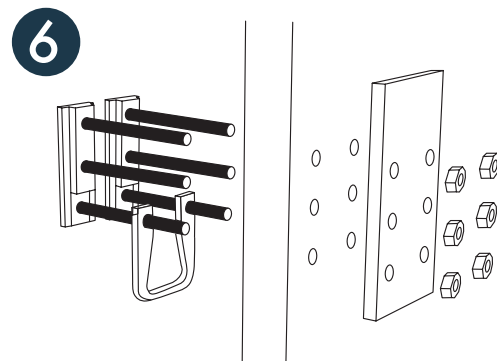
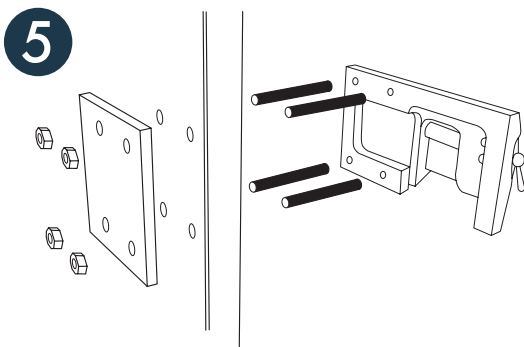
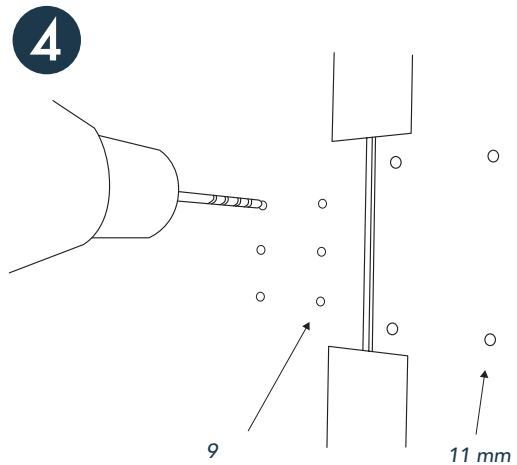
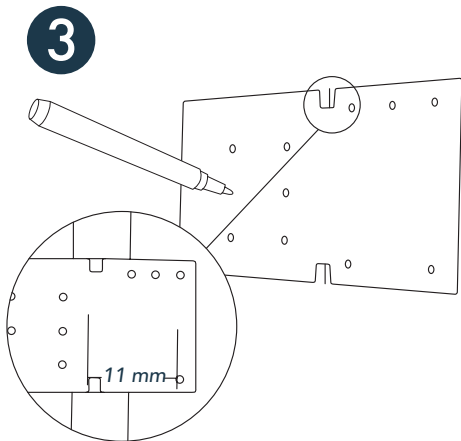
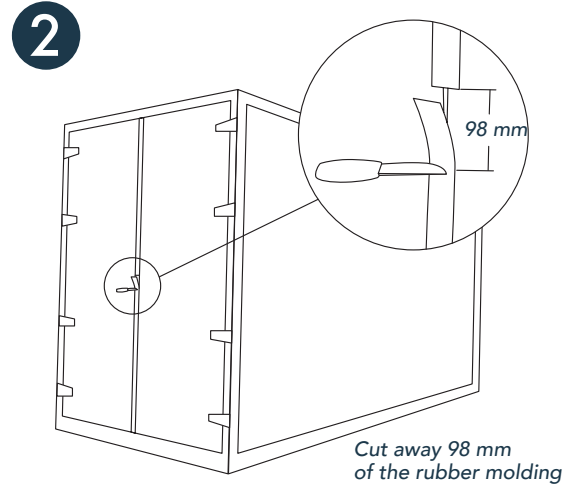
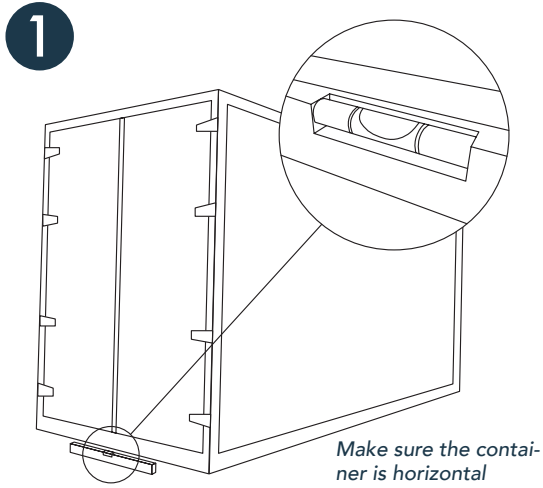


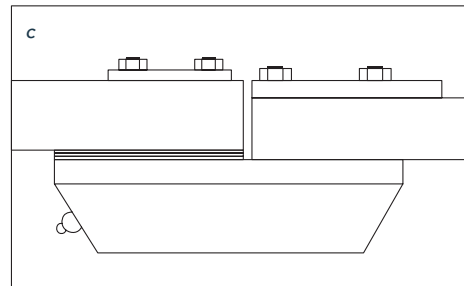
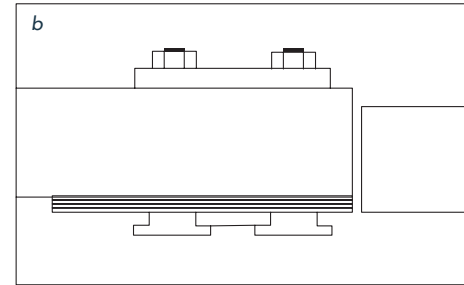
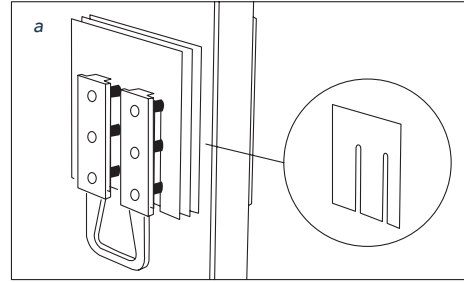
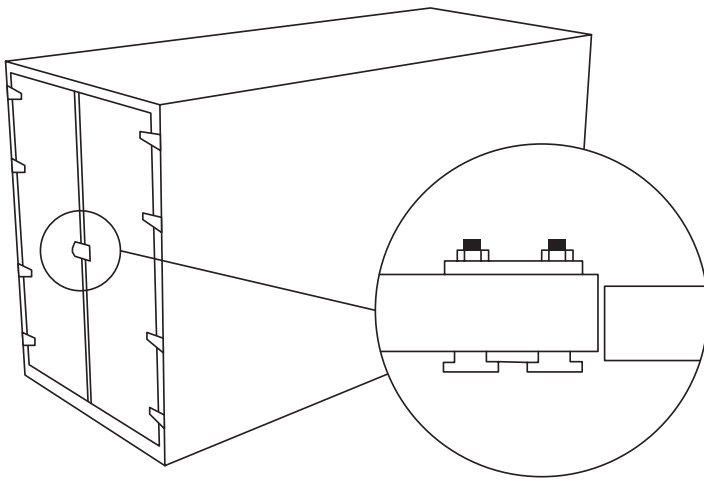
INSTALLATION INSTRUCTIONS K35



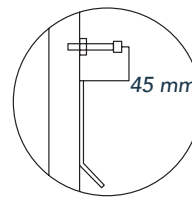
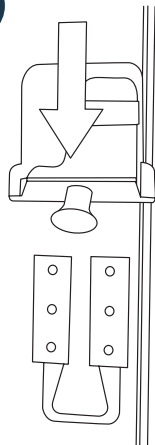
IMPORTANT! For sample mounting use the lock nuts (unclear exactly what should stand here).



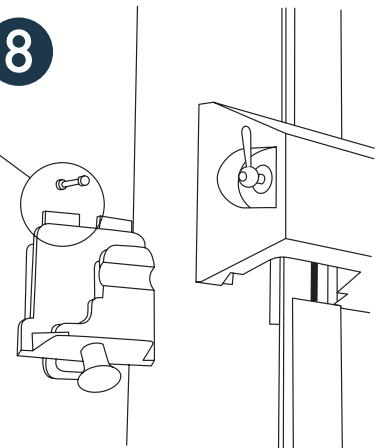
If the doors / gates are parallel
proceed to point 7



7



8



9

